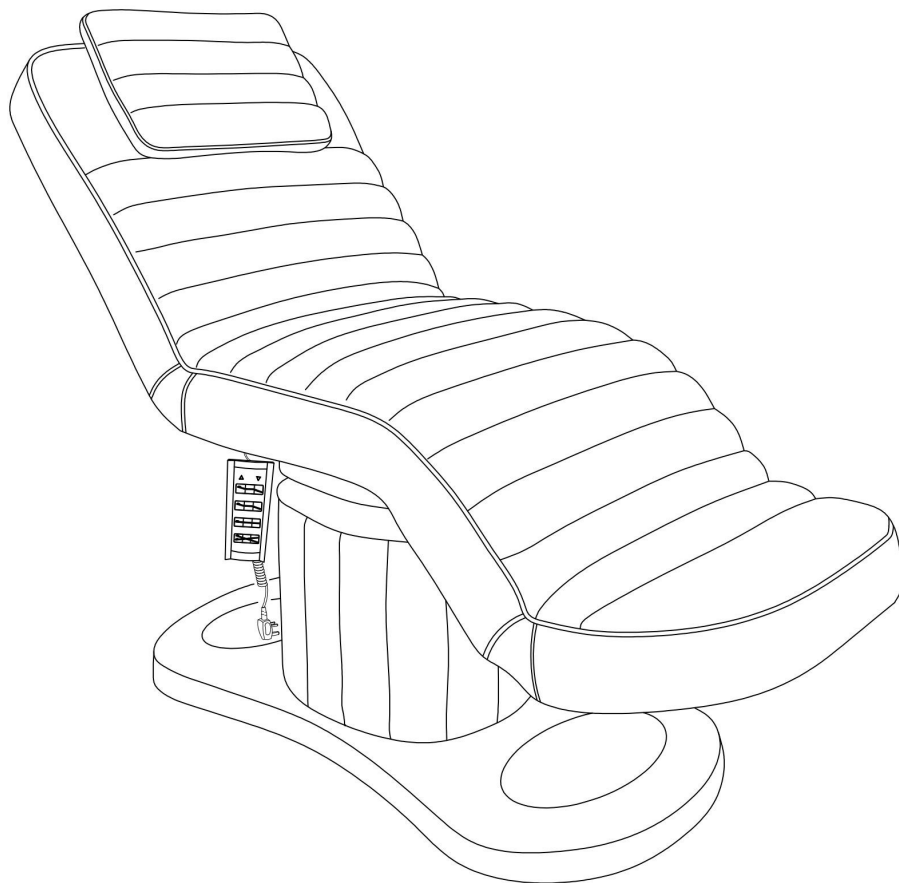


# Darcy Electric Bed

## Product Installation Manual

CODE: 7077



# Table of Contents

## **Part 1: Receiving and Inspection**

## **Part 2: Specification**

1. Complete Product View
2. Introduction To Each Part
3. Dimensions of Product

## **Part 3: Installation**

1. Parts Specification
2. Installation Steps

## **Part 4: Operation & Care**

1. Operation
2. Cleaning
3. General Upholstery Care
4. Metal Frame Care

## **Part 5: Warranty**

## Part 1: Receiving and Inspection



1. Before unpacking, please check the condition of the outer box. Please check whether the outer box is damp, damaged, or deformed. If so, please report to the relevant sales staff.



2. Please be careful when unpacking to avoid sharp tools from scratching your beloved product.



3. After opening the box, check the surface condition of the bed.



4. Check whether the accessories are complete before beginning assembly.

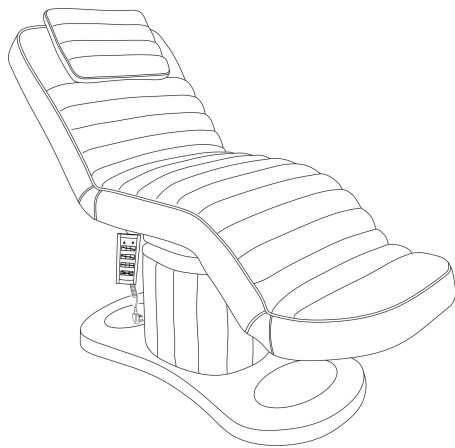
Please read through this manual before assembling, installing, or using the product to ensure safe and correct use.

This product is designed for commercial use in hairdressing and beauty salons. Do not use this product for purposes other than the practices and services typically offered in these places.

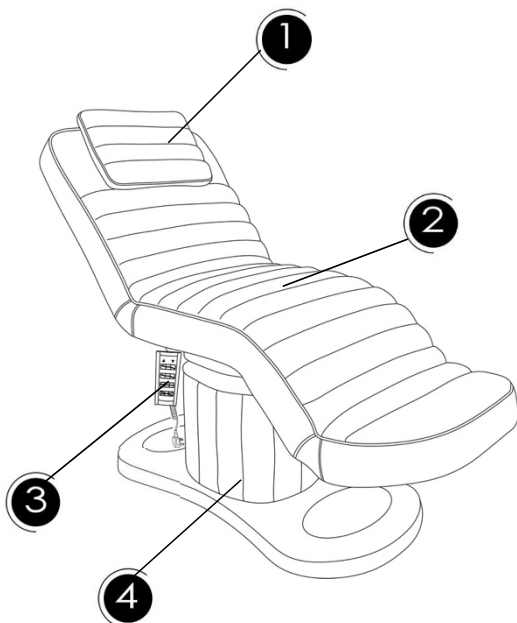
Please keep this manual in a safe place for your future reference.

## Part 2: Specification

### 1. Complete Product View

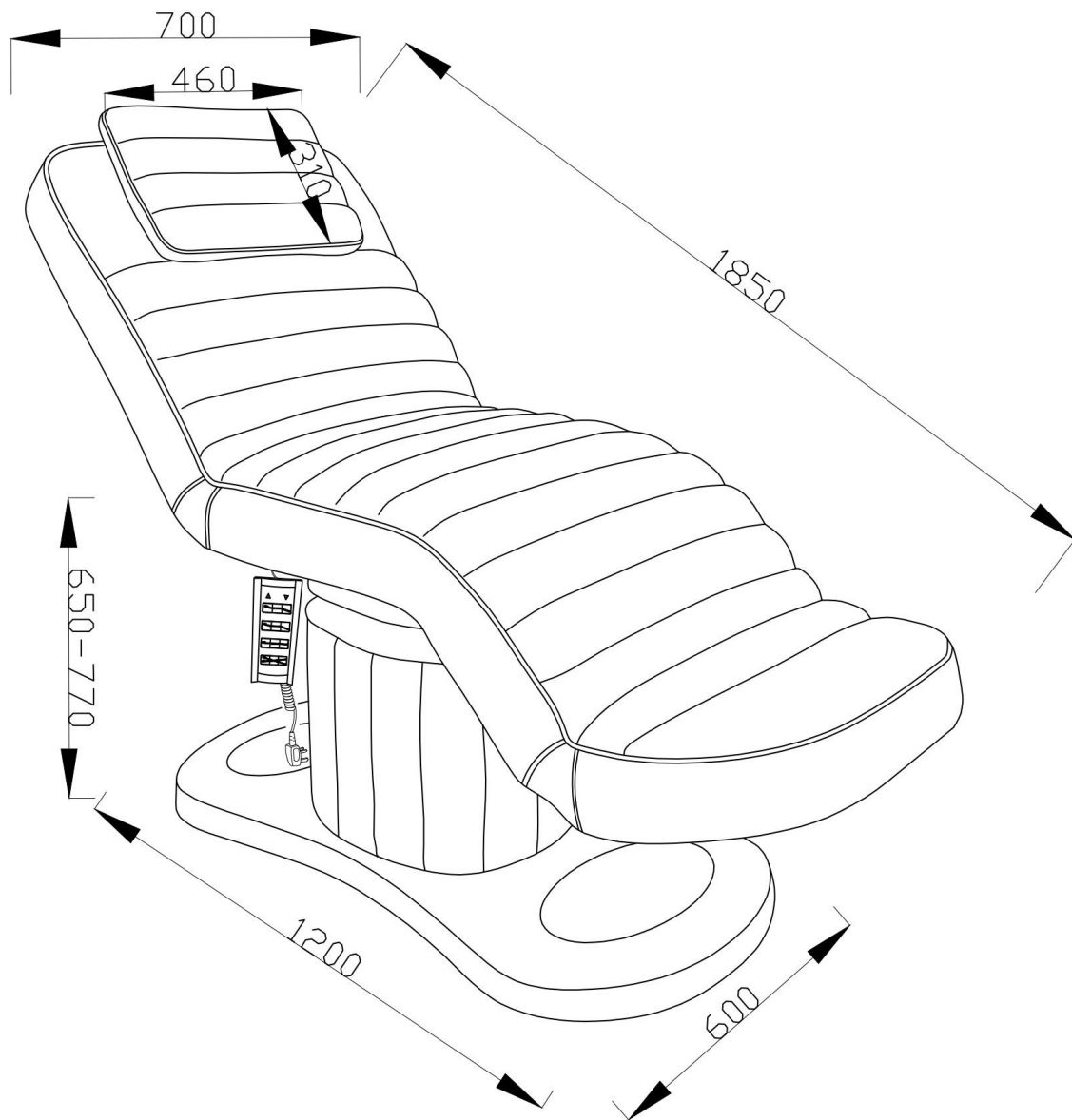


### 2. Introduction To Each Part



- |  |
|--|
| <ol style="list-style-type: none"><li>1. Pillow</li><li>2. Bed</li><li>3. Remote Control</li><li>4. Base</li></ol> |
|--|

### 3. Dimensions of Product



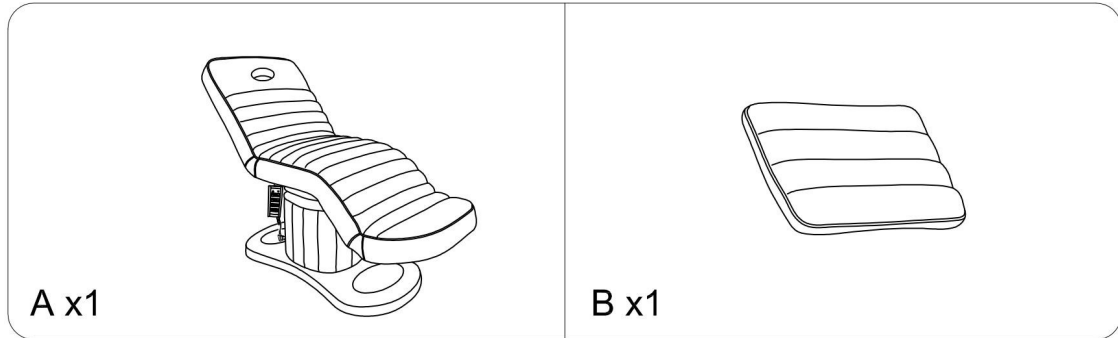
Bed length: 1850mm/ Bed width: 700mm

Bed height: 650-770mm/ Base length: 1200mm

Actual product size may vary by 30mm

# Part 3: Installation

## 1. Parts Specification

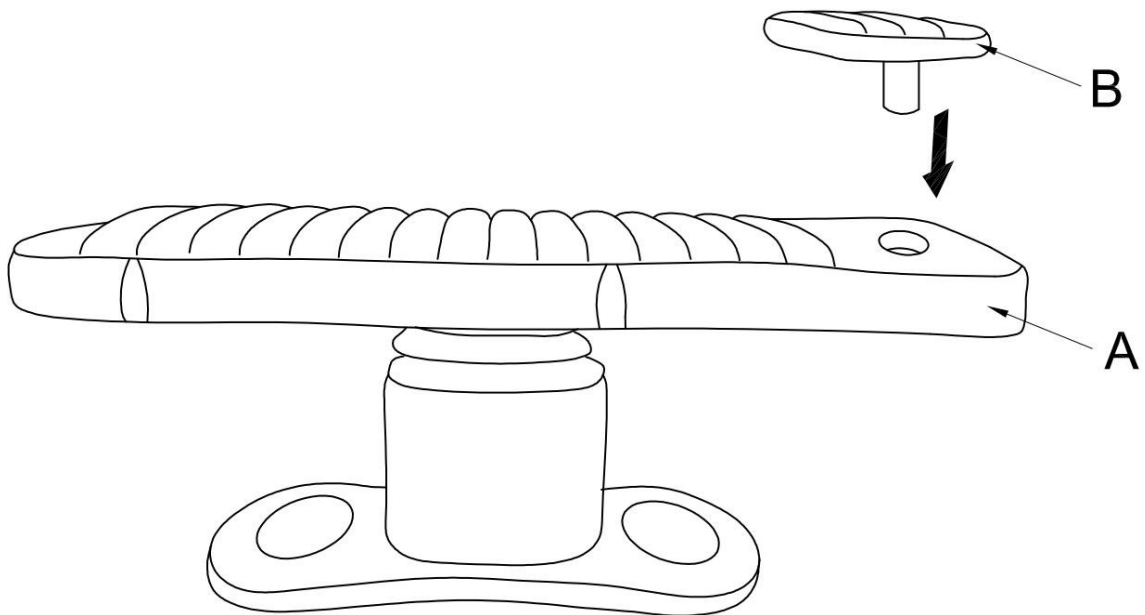


Parts List:

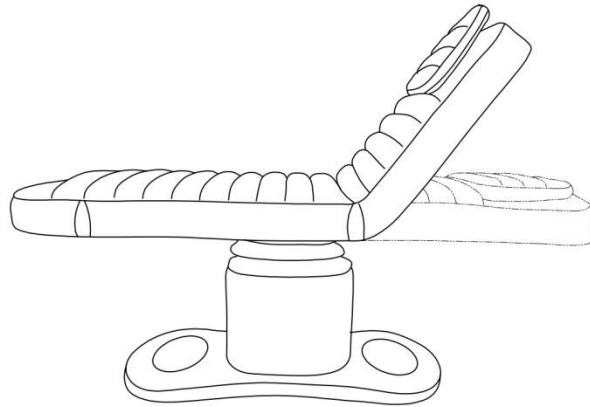
A: Bed & Base x1

B: Pillow x1

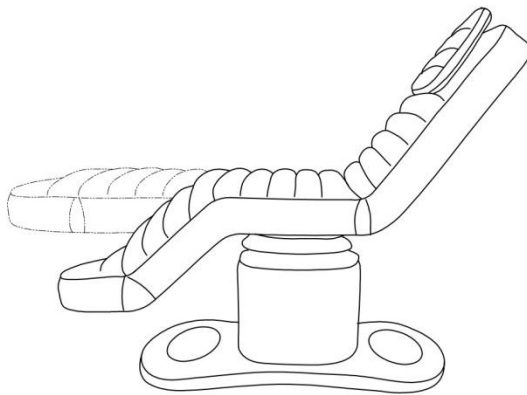
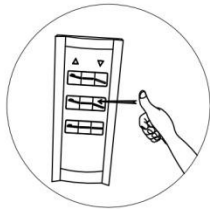
## 2. Installation Steps



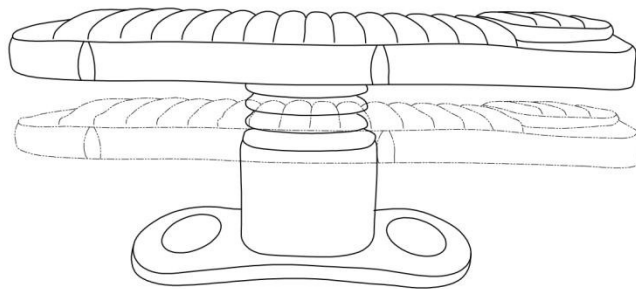
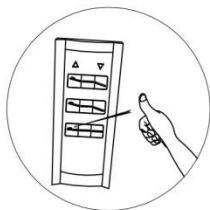
## Backrest



## Footrest



## Height adjustment



## Part 4: Operation & Care

### 1. Operation

An initial period of use, check all fastenings for any loosened screws etc. If found, please tighten as needed.

### 2. Cleaning

The following care and cleaning instructions can be used for almost all of the vinyl fabrics currently used in the salon industry. The vinyl fabrics used are supplied by several manufacturers. Because of the nature of vinyl and the way they are made, these guidelines are applicable to all.

Normal day-to-day dirt can be removed with a mild detergent diluted in warm water and a soft cloth. Be sure to rinse well with plain water as a final step.

Be aware that the use of cleaners tends to degrade vinyl fabrics and can make them brittle. The stronger the cleaner or solvent, the more quickly the vinyl degrades.

Do not use any of the following substances to clean the bed:

- Alcohol, nail polish remover, volatile chemicals (such as gasoline or kerosene), acid or alkaline solutions, chlorinated cleaners, disinfectants that are highly corrosive to metal, povidone-iodine (iodine solution), sodium hypochlorite, waxes containing abrasive compounds, sponges containing abrasive compounds, and similar substances.
- Do not use brushes, scouring brushes, or similar items when cleaning the bed.
- If you have any questions regarding cleaning, please get in touch.

### 3. General Upholstery Care

The following guidance applies to both synthetic and natural leather upholsteries.

Adherence of fabric dyes:

- The upholstery may be stained by coming into contact with fabric, belts or other such attire. In order to avoid infiltration by plasticiser when the colour has adhered, apply a solution of neutral detergent diluted by about 10% to a soft towel and wipe off the colour as soon as possible. After wiping off the colour, wipe the area dry.



Colour deterioration and staining caused by contact:

- Contact with things such as other plastic parts, paints, solvents, and adhesive tape may cause changes to the surface shine, cracking, deformation, or peeling.
- Contact with newspaper or printed materials may cause colour staining.
- Contact with liquids such as benzene, nail polish remover, or alcohol may cause the surface to discolour, dissolve, harden, soften, peel, extract plasticiser, or experience changes to its shine.
- Using bleach or sheets that use bleach may cause discolouration or changes to shine.
- Keep all sharp objects away from the upholstery.
- When placed next to a source of excessive heat such as an iron or heater, deformation or discolouration may occur.
- Shield the upholstery with a curtain or other such item so that it does not come into contact with direct sunlight. Otherwise, surface changes, shrinkage, discolouration, or fading may occur.
- 

Heavy objects placed on the upholstery for long periods of time may leave an impression and wrinkles that may be permanent.

Wrinkles and/or surface waviness may exist in the chair's upholstery or occur over time.

The product uses soft cushion materials and considered fabrics for comfort and durability. Fabrics possess characteristic marks which exist by design and not by fault. Furthermore, additional wrinkles and surface waviness may develop depending on the demands and conditions of use.

#### 4. Metal Frame Care

Best practices include:

1. Wear clean gloves.
2. Avoid contact with rusty carbon steel or iron.
3. Do not weld, cut, drill or grind carbon steel near stainless steel.
4. Avoid contact with chloride solutions or concrete detergents. If so, rinse immediately.
5. When power washing nearby surfaces, wrap stainless steel with plastic.
6. Keeping stainless steel products clean and free of salt or other corrosive elements

Never use the following products to clean stainless steel:

1. Oven cleaners
2. Chloride bleach
3. All-purpose cleaners
4. Any cleaner containing chloride
5. Steel wool or other abrasive scrubbing pads

How to clean:

- Use a mild detergent, or dilute (1%) ammonia solution in warm water.
- Use clean water. Gritty, dirty or excessively hard water can leave spots or brown stains.
- Wipe down with a clean sponge or cloth.
- Use clean rinsing water to avoid water marks. Dry with disposable wipes or an air blower.

## Part 5: Warranty

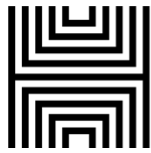
The Darcy Beauty Bed is produced with strong resilient faux leather, tested by our manufacturer to ensure strength, memory, heat resistance, and stain-proofing. We also fit our chairs with high-density memory foam to ensure continual use and sustained durability.

Warranty range doesn't include the following:

- The cost of the wearing parts is not covered in the warranty.
- Do not repair failures caused by physical damage, improper operation, unauthorized changes to the product, and attempt to repair or other natural or manmade disasters.
- Staining or discoloration of chair vinyl due to normal wear and tear, caused by client clothing (dye in jeans, skirts, etc), use of hair color or bleach is not covered under warranty.
- Any fading due to exposure of sunlight is not covered under any circumstances.

The warranty period is two years.

The manufacturer warrants to you, the original buyer, that goods shall be free of defects in material and/or workmanship attributable to manufacture for two years from the date of buyer's receipt of product. Damage resulting from improper handling after merchandise is received, or from exposure to weather or extreme atmospheric conditions is not covered by the warranty.



**H O F** B E A U T Y

01480 404 200 | [info@hofbeauty.co.uk](mailto:info@hofbeauty.co.uk) | [hofbeauty.co.uk](http://hofbeauty.co.uk)